

- NOTES:**
1. ALL DIMENSIONS GIVEN ON THIS DRAWING ARE IN MILLIMETERS. DO NOT SCALE THE DRAWINGS. ANY DISCREPANCIES FOUND SHOULD BE REPORTED TO THE RESPONSIBLE ARCHITECT OR ENGINEER IMMEDIATELY.
  2. IT IS THE RESPONSIBILITY OF THE CONTRACTOR OR BUILDERS TO ASCERTAIN AND CONFIRM THAT ALL DIMENSIONS SHOWN IN THESE DRAWINGS SHALL COMPLY WITH THE SITE DIMENSIONS AND LEVELS PRIOR TO PREPARING DRAWINGS AND EXECUTING THE WORKS.
  3. ALL WORKS ARE TO BE CARRIED OUT TO Q.C.S. AND OTHER RELEVANT CODES OF CONSTRUCTIONS.
  4. ALL COORDINATES & LEVEL SHOWN IN THE DRAWINGS ARE BASE FROM SITE SURVEY LEVEL.

**AS BUILT DRAWING**

COORDINATION AND NO OBJECTION TABLE			
NAME	STRU.	ARCH.	MECH. / ELEC.
SIGN.			
REFERENCE DESIGN DRAWINGS			
NO.	DRAWING NO	TITLE	
1	A-PR-02	PROPOSED GROUND FLOOR PLAN	
2			
COMPLEMENTARY RELATED DRAWINGS			
NO.	DRAWING NO	TITLE	
1			
2			
-APPROVED		<input type="checkbox"/>	REVIEWER SIGNATURE
-APPROVED AS NOTED		<input type="checkbox"/>	NOTES
-APPROVED AS NOTED - RESUBMIT		<input type="checkbox"/>	Signature
-REJECTED		<input type="checkbox"/>	

REV.	DESCRIPTION	DATE	DWN	CHKD	APPD
0	AS BUILT	05.09.2016	LG	BA	GW

PROJECT NO: QMA-2014-30

PROJECT: REHABILITATION OF AL RUWAIS MOSQUE

CLIENT: QATAR MUSEUM'S AUTHORITY

CONSULTANT: EGECA EGEQ QATAR ENGINEERING CONSULTANTS

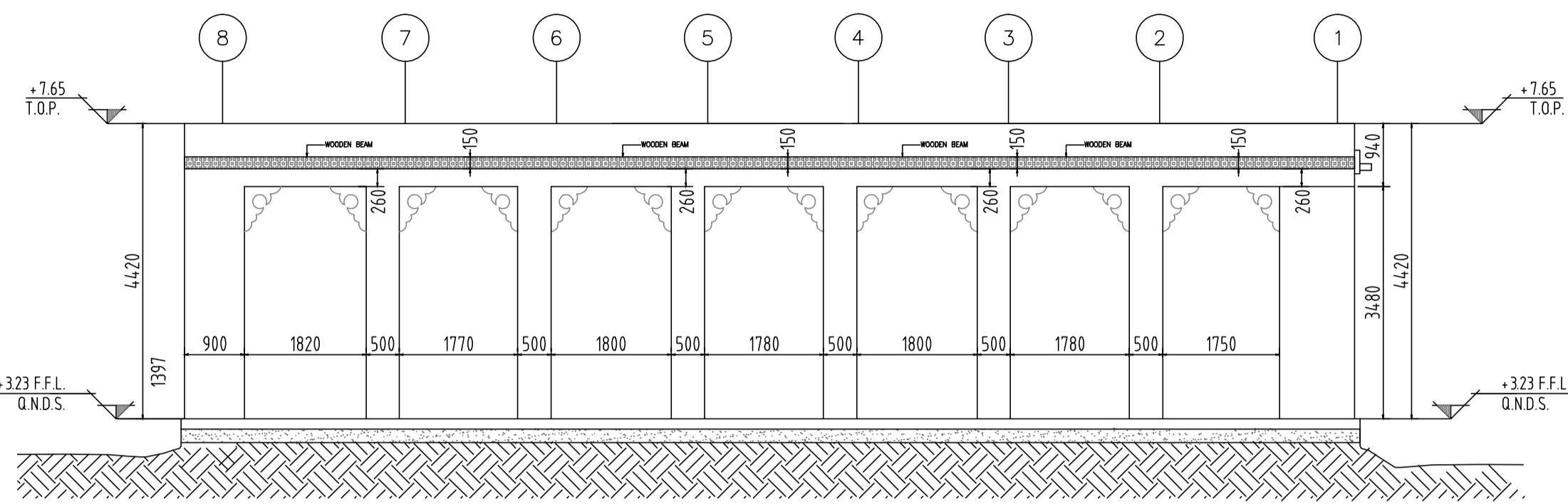
DESIGN CONSULTANT: A.E.S. Arab Engineering Bureau

MAIN-CONTRACTOR: AL FOWRIYA TRADING & CONTRACTING W.L.L.

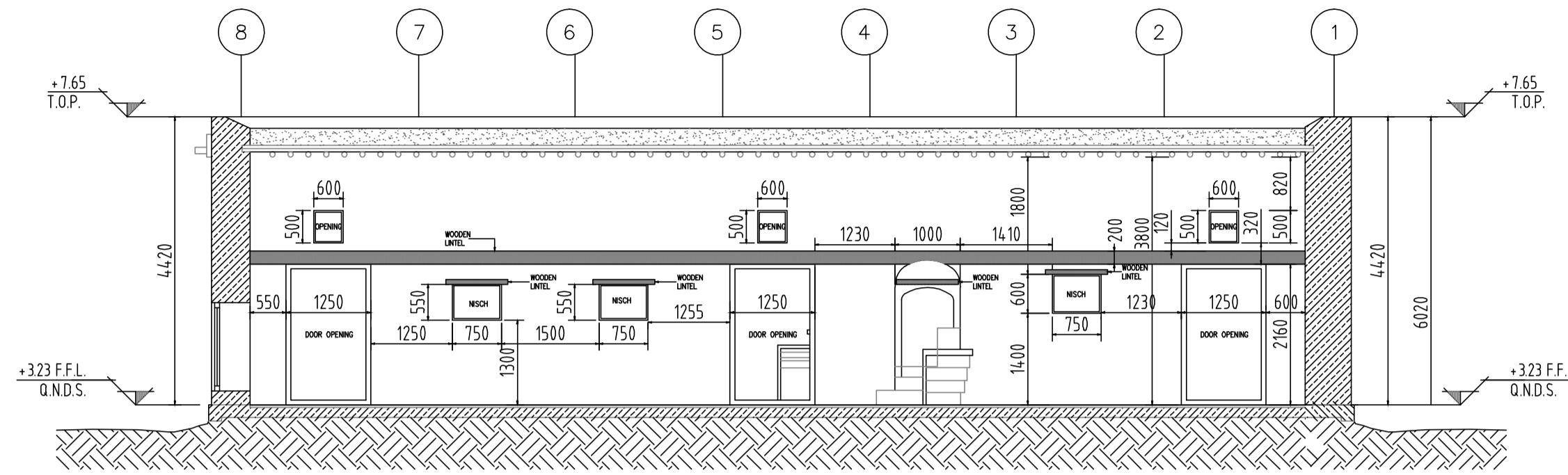
DRAWING TITLE: MOSQUE SECTION DETAILS

DRAWING NO.: A-04 REVISION NUMBER: 00

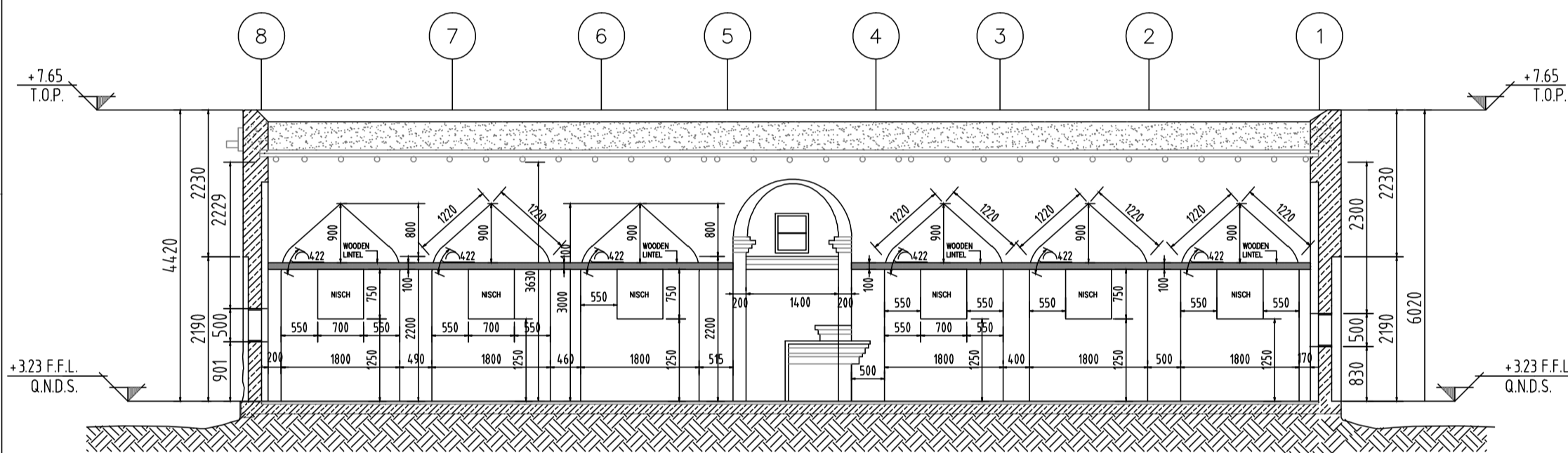
DRAWN BY	REVIEWED BY	APPROVED BY	DATE	SHEET NO.
LAIBIN	BASIL	GOODWIN	05-09-2016	1 of 4
SCALE	SIZE	COMPUTER REFERENCE		
AS SHOWN	A1			



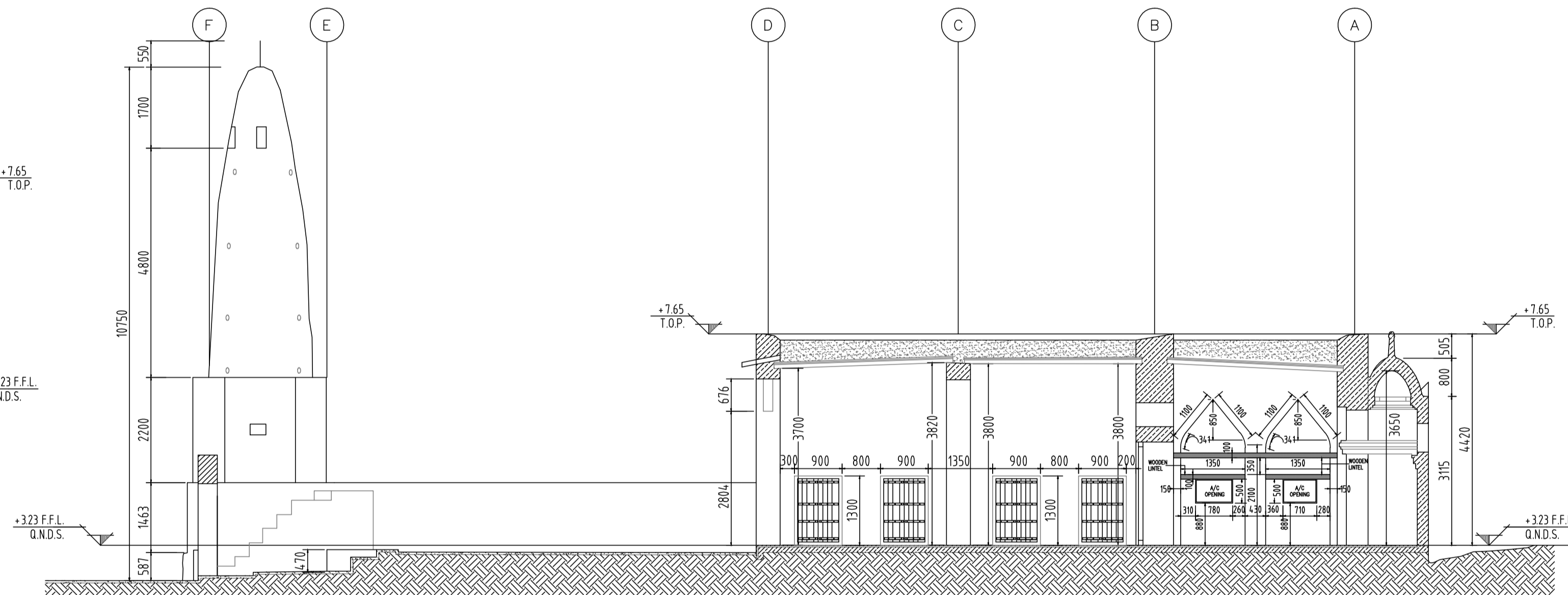
**A CROSS SECTION**



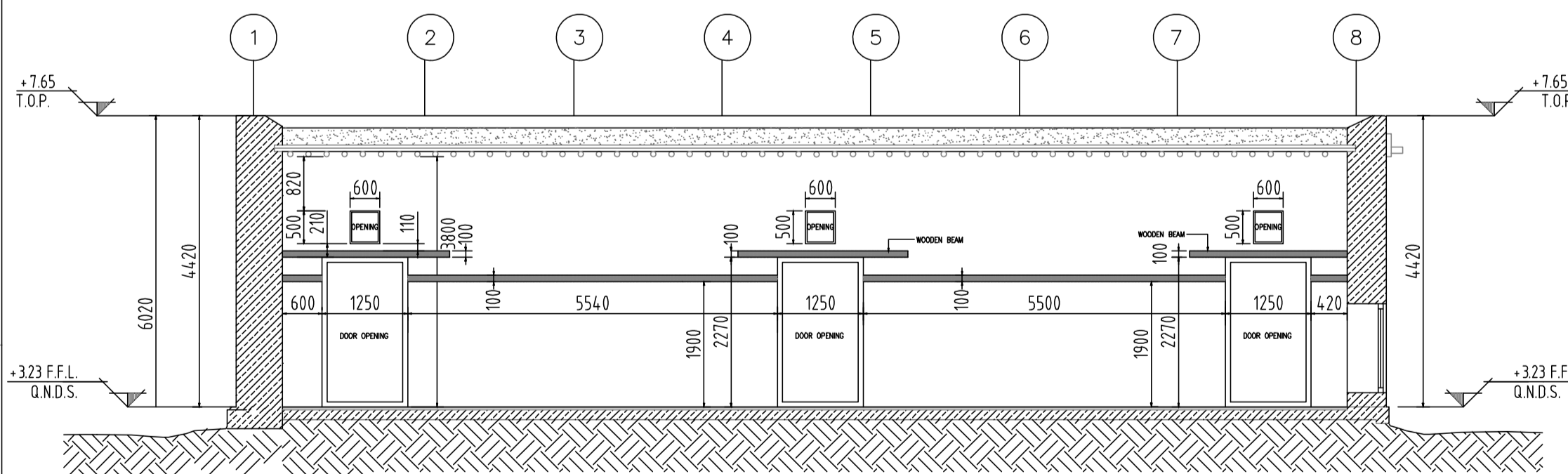
**B CROSS SECTION**



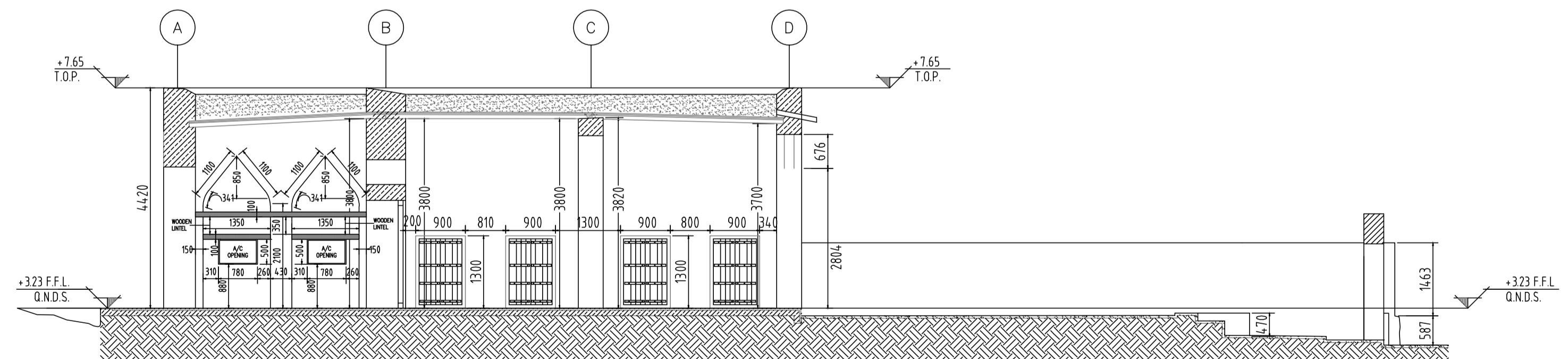
**C CROSS SECTION**



**D LONGITUDINAL SECTION**



**E CROSS SECTION**



**F LONGITUDINAL SECTION**