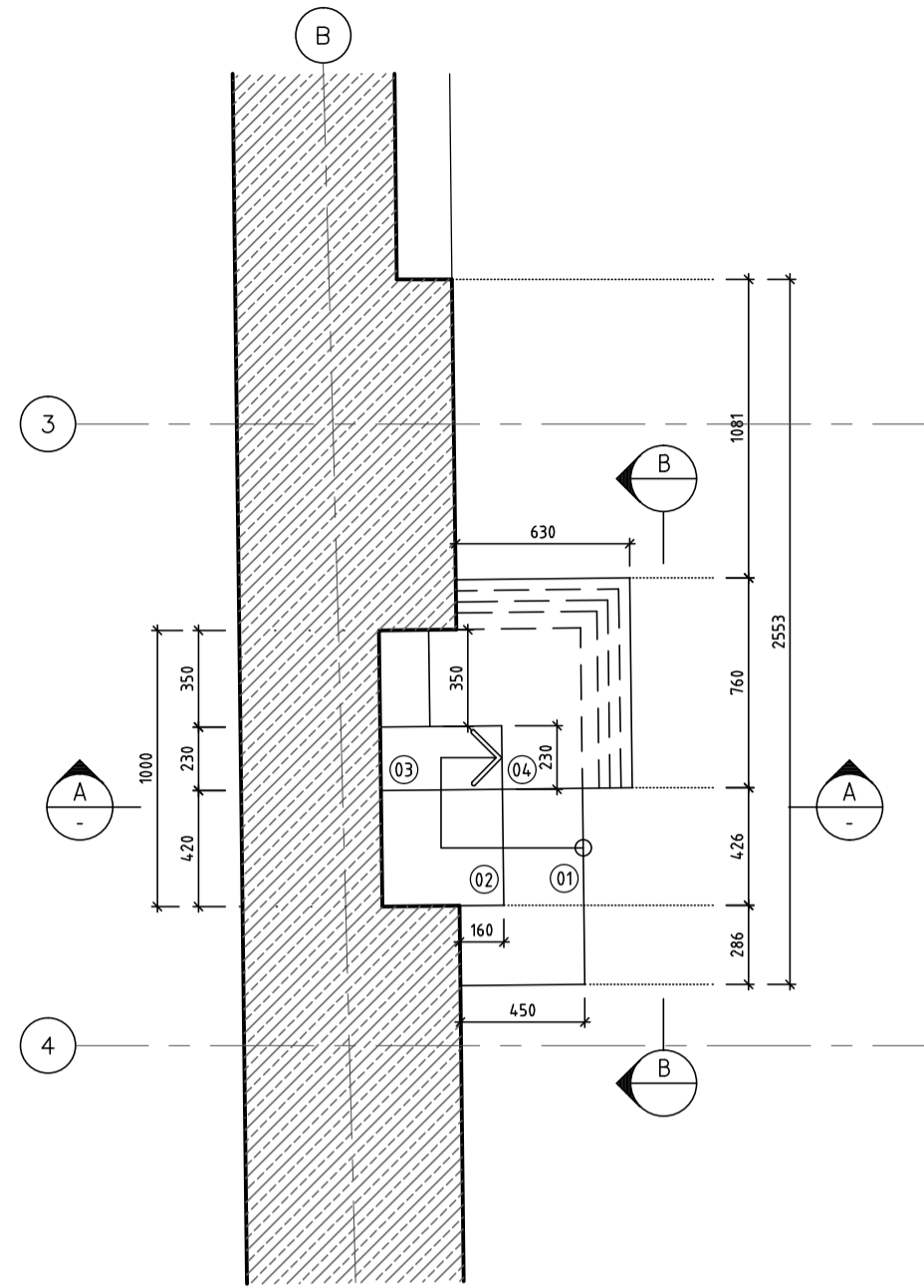
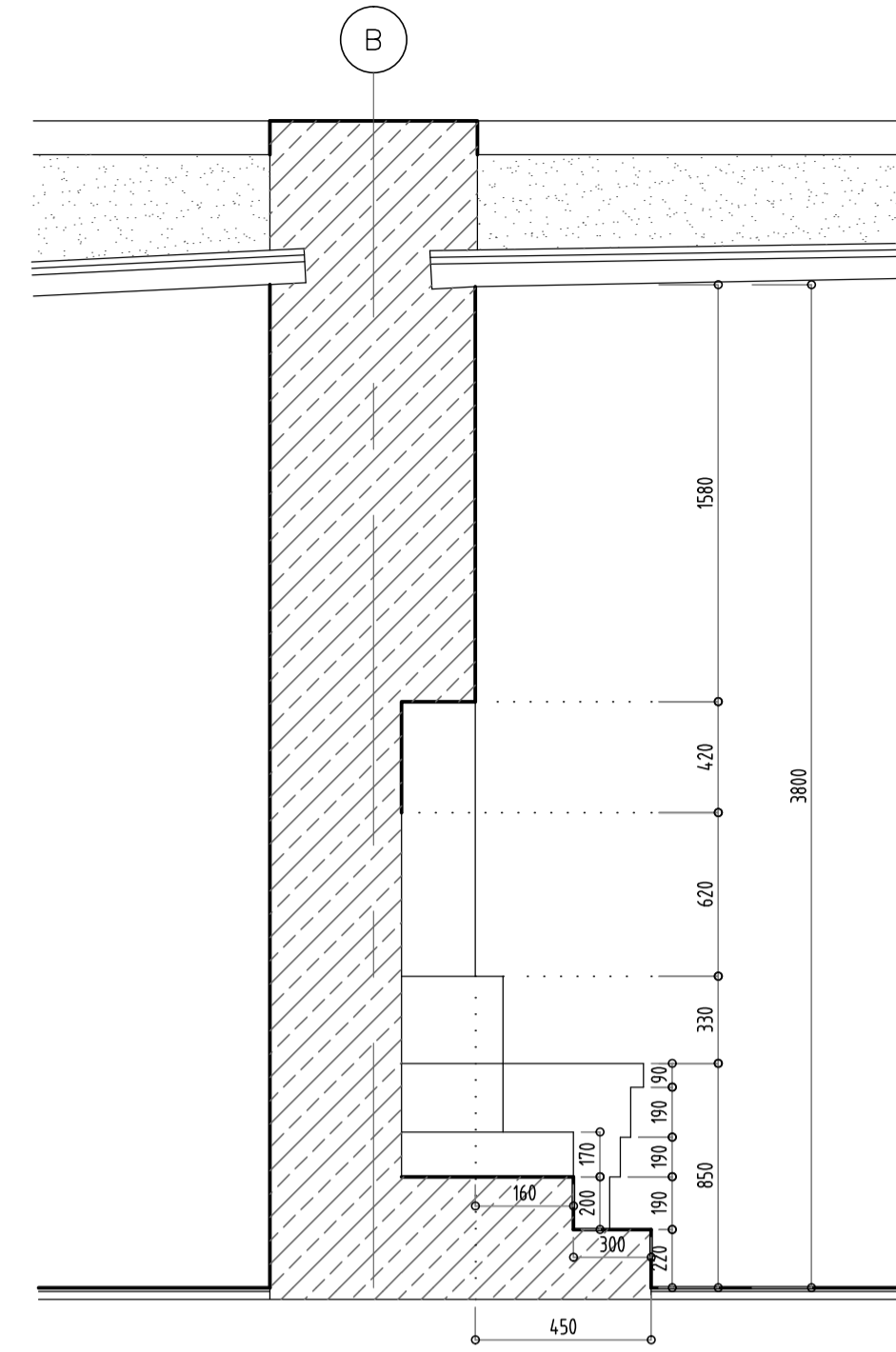


SECTION B

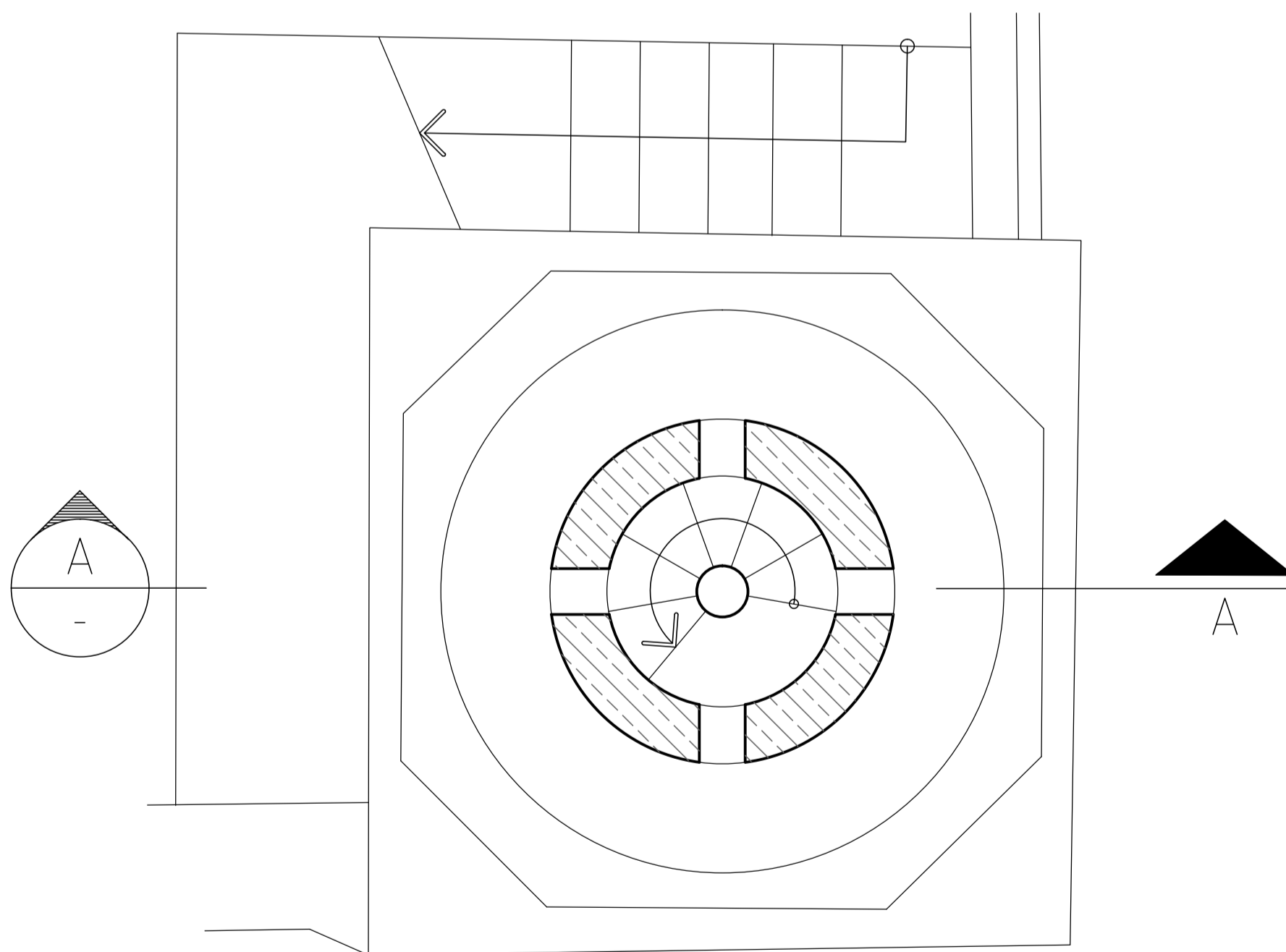


DETAIL

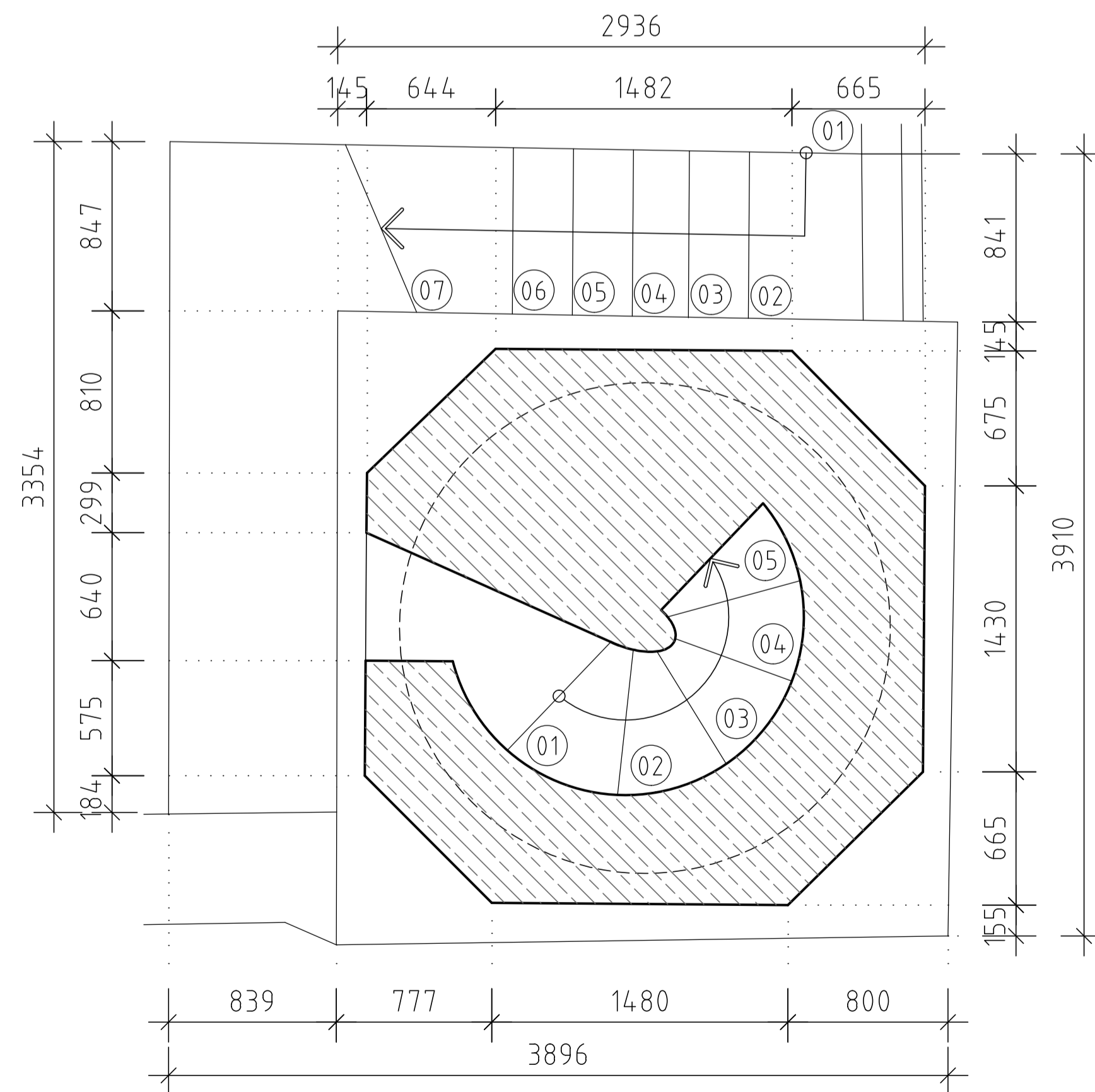


SECTION A

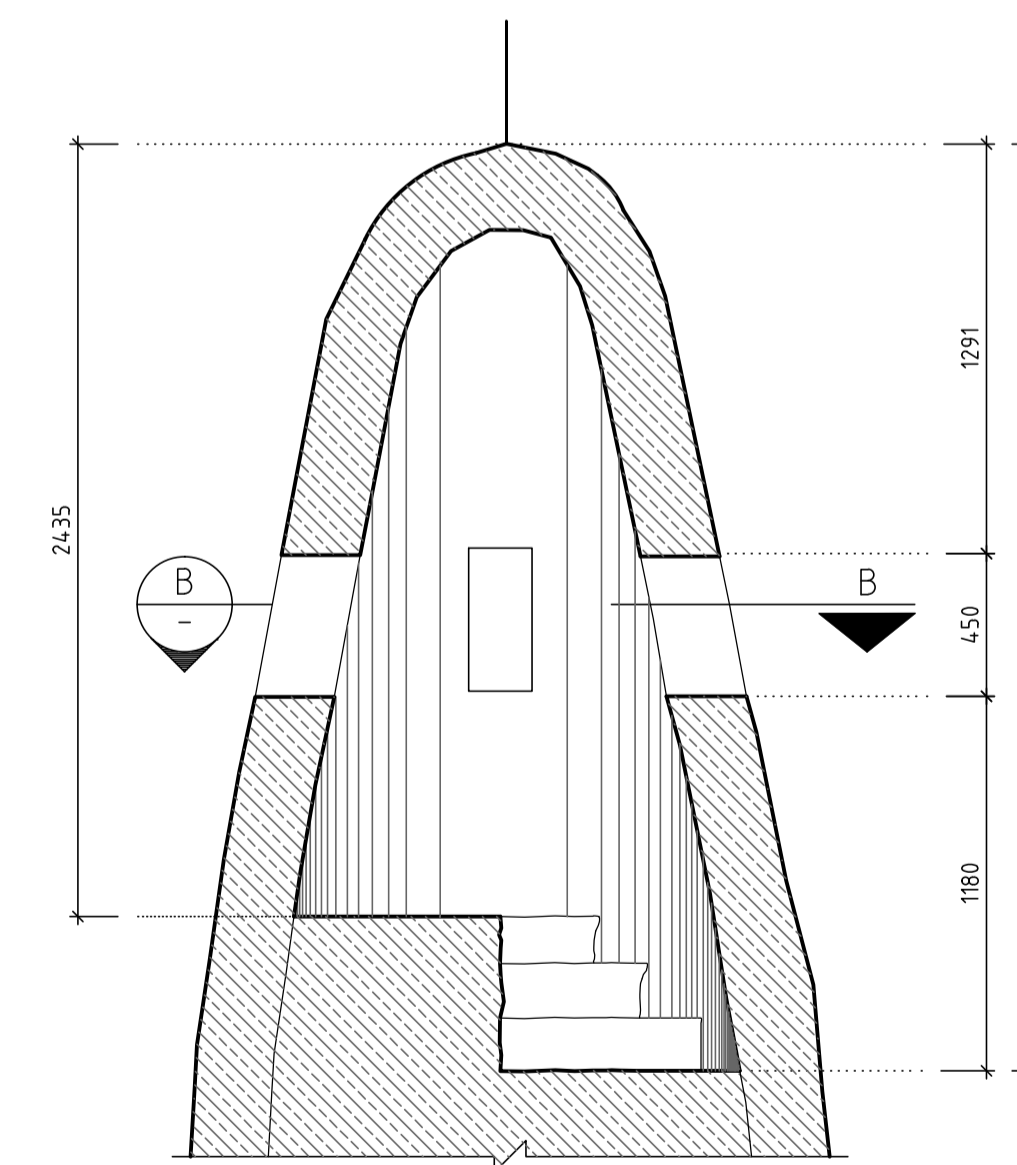
MIHRAB - 2
WALL SECTION DETAILS



PLAN B



MINARET DETAILS



SECTION A

NOTES:

1. ALL DIMENSIONS GIVEN ON THIS DRAWING ARE IN MILLIMETERS. DO NOT SCALE THE DRAWINGS. ANY DISCREPANCIES FOUND SHOULD BE REPORTED TO THE RESPONSIBLE ARCHITECT OR ENGINEER IMMEDIATELY.
2. IT IS THE RESPONSIBILITY OF THE CONTRACTOR OR BUILDERS TO ASCERTAIN AND CONFIRM THAT ALL DIMENSIONS SHOWN IN THESE DRAWINGS SHALL COMPLY WITH THE SITE DIMENSIONS AND LEVELS PRIOR TO PREPARING DRAWINGS AND EXECUTING THE WORKS.
3. ALL WORKS ARE TO BE CARRIED OUT TO Q.C.S. AND OTHER RELEVANT CODES OF CONSTRUCTIONS.
4. ALL COORDINATES & LEVEL SHOWN IN THE DRAWINGS ARE BASE FROM SITE SURVEY LEVEL.

AS BUILT DRAWING

COORDINATION AND NO OBJECTION TABLE			
NAME	STRU.	ARCH.	MECH. / ELEC.
SIGN.			

REFERENCE DESIGN DRAWINGS		
NO.	DRAWING NO	TITLE
1	A-WD-01	WALL SECTION DETAILS
2	-	-

COMPLEMENTARY RELATED DRAWINGS		
NO.	DRAWING NO	TITLE
1		
2		

	REVIEWER SIGNATURE	NOTES
-APPROVED	<input type="checkbox"/>	Signature
-APPROVED AS NOTED	<input type="checkbox"/>	
-APPROVED AS NOTED - RESUBMIT	<input type="checkbox"/>	
-REJECTED	<input type="checkbox"/>	

REV.	DESCRIPTION	DATE	DWN	CHKD	APPD
0	1ST ISSUE FOR APPROVAL	16.02.2016	LG	BA	GW

PROJECT NO.:	QMA-2014-30
--------------	-------------

PROJECT: REHABILITATION OF AL RUWAIS MOSQUE

CLIENT: QATAR MUSEUM'S AUTHORITY

CONSULTANT: EGECA EGEQ QATAR ENGINEERING CONSULTANTS

DESIGN CONSULTANT: A.E.B. Arab Engineering Bureau

MAIN CONTRACTOR: AL FOHRIYA TRADING & CONTRACTING W.L.L.

DRAWING TITLE: WALL SECTION DETAILS - 1

DRAWING NO.:	A-09	REVISION NUMBER:	00
--------------	------	------------------	----

DRAWN BY:	LAIBIN	REVIEWED BY:	BASIL	APPROVED BY:	GOODWIN	DATE:	24-09-2016	SHEET NO.:	1 of 02
-----------	--------	--------------	-------	--------------	---------	-------	------------	------------	---------

SCALE:	A1	COMPUTER REFERENCE:	
--------	----	---------------------	--